

Siddhakala Ayurved Mahavidyalaya, Sangamner

IPR DATA 2025

1. Patent Information: UK Design

Certificate of Registration for a UK Design

Design number: 6458203

Grant date: 23 July 2025

Registration date: 16 July 2025

LABORATORY EQUIPMENT FOR TESTING THE PRESENCE OF HEAVY METALS PHARMACEUTICALS FORMULATIONS

DR. PRADIP KUMBHARWAD, DR. PRAJAKTA ABHANG, DR. PALLAVI MORE,

DR. BHUPENDRA KHAIRNAR, DR. SANDEEP MANE, DR. GANESH AHER,

International Design Classification:

Version: 15-2025

Class: 24 MEDICAL AND LABORATORY EQUIPMENT

Subclass: 01 APPARATUS AND EQUIPMENT FOR DOCTORS, HOSPITALS AND LABORATORIES

2. COPYRIGHT:

Diary No. LD-24262/2025-CO

Date of Filing: 17/06/2025

Publication Date: 29/09/2025

Authors: Dr. Santosh Kamble

Dr. Naimish Saraf

Title: Performance Appraisal form for self-appraisals of teachers

3. Patent Information: UK Design

Certificate of Registration for a UK Design

Design number: 6454840

Grant date: 07 July 2025

Registration date: 02 July 2025

**NANOHEAL MICROCAPSULES DISPENSER FOR ENHANCED SKIN
REGENERATION IN TOPICAL THERAPIES**

Dr. Narayan Totewad, Dr. Pradeep Kumbharwad, Dr. Shrikant Dighe, Dr.
Indrajeet Gadge, Dr. Megharaj Vinayak, Dr. Ashish Jain, Dr. Bhagwan
Rekadwad

International Design Classification:

Version: 15-2025

Class: 24 MEDICAL AND LABORATORY EQUIPMENT

Subclass: 04 MATERIALS FOR DRESSING WOUNDS, NURSING AND
MEDICAL CARE



प्रमाणपत्र सं. / Certificate No.: LD-20250174777

प्रतिलिप्याधिकार कार्यालय, भारत सरकार | Copyright Office, Government Of India

प्रतिलिप्याधिकार प्रमाणपत्र | Copyright Certificate

प्रतिलिप्याधिकार नियम का नियम 70 | Rule 70 of The Copyright Rules

प्रतिलिप्याधिकार रजिस्टर से उद्धरण | Extracts from the Register of Copyrights

आवेदन सं. / Application No.: LD-24262/2025-CO **दाखिल करने की तिथि/ Date of Filing:** 17/06/2025

एतद्वारा यह प्रमाणित किया जाता है कि प्रतिलिप्याधिकार अधिनियम, 1957 के प्रावधानों के अनुसार, उपर्युक्त आवेदन में प्रकट किए गए "PERFORMANCE APPRAISAL FORM FOR SELF APPRAISAL OF TEACHERS" नामक कार्य के लिए प्रतिलिप्याधिकार प्रदान किया गया है।

This is to certify that a copyright has been registered for the work titled "PERFORMANCE APPRAISAL FORM FOR SELF APPRAISAL OF TEACHERS" as disclosed in the below mentioned application in accordance with the provisions of the Copyright Act,1957.

रचयिता / Authors:

सं. / SNO.

नाम / Name

पता / Address

1 DR.SANTOSH DADU KAMBL

GAJANAN NAGER
PIMPLE GURAV,PUNE
NEAR HP GAS GODOWN-411061

2 DR.NAIMISH SARAF

SIDDHAKALA AYURVED
MAHAVIDYALAYA,SANGAMNER-422605

स्वामी / Owners:

सं. / SNO.

नाम / Name

पता / Address

1 DR.SANTOSH DADU KAMBL

GAJANAN NAGER
PIMPLE GURAV,PUNE
NEAR HP GAS GODOWN-411061

2 DR.NAIMISH SARAF

SIDDHAKALA AYURVED
MAHAVIDYALAYA,SANGAMNER-422605

प्रकाशक विवरण / Publisher Details:

N.A.

कार्य की भाषा / Language of the Work:

English

कार्य का विवरण / Description of the Work:

THIS WORK COMPRISES PERFORMANCE APPRAISAL FORM FOR SELF APPRAISAL FORM WITH MARKS SCORE FOR UNBIAS YEARLY EVALUATION OF TEACHERS WORK

(शर्तें / टिप्पणियाँ, यदि कोई हो) / (Conditions/ Remarks, if any):

THIS ORIGINAL WORK COMPRISES PERFORMANCE APPRAISAL FORM FOR SELF APPRAISAL FORM WITH MARKS SCORE FOR UNBIAS YEARLY EVALUATION OF TEACHERS WORK

आर. ओ. सी. जारी होने की तिथि / Date of ROC: 29/09/2025



(Handwritten signature)
उज्ज्वला पी. शिंदे

Registrar of Copyrights



Intellectual
Property
Office

Certificate of Registration for a UK Design

Design number: 6458203

Grant date: 23 July 2025

Registration date: 16 July 2025

This is to certify that,

in pursuance of and subject to the provision of Registered Designs Act 1949, the design of which a representation or specimen is attached, had been registered as of the date of registration shown above in the name of

DR. PRADIP KUMBHARWAD, DR. PRAJAKTA ABHANG, DR. PALLAVI MORE,

DR. BHUPENDRA KHAIRNAR, DR. SANDEEP MANE, DR. GANESH AHER,

DR. BHAVANA GANGURDE

in respect of the application of such design to:

LABORATORY EQUIPMENT FOR TESTING THE PRESENCE OF HEAVY

METALS PHARMACEUTICALS FORMULATIONS

International Design Classification:

Version: 15-2025

Class: 24 MEDICAL AND LABORATORY EQUIPMENT

Subclass: 01 APPARATUS AND EQUIPMENT FOR DOCTORS, HOSPITALS
AND LABORATORIES

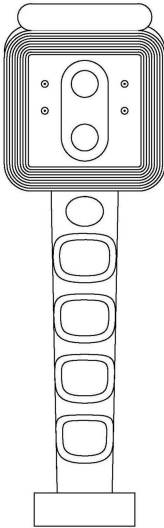
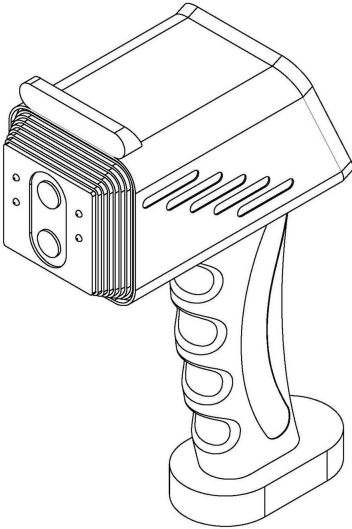
Adam Williams

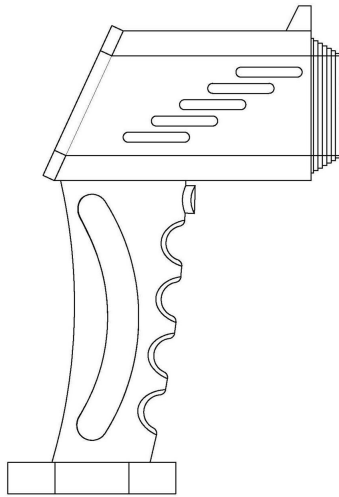
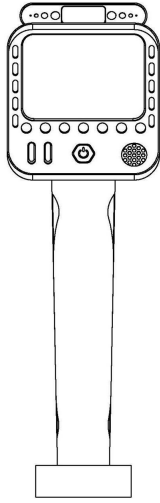
Comptroller-General of Patents, Designs and Trade Marks
Intellectual Property Office

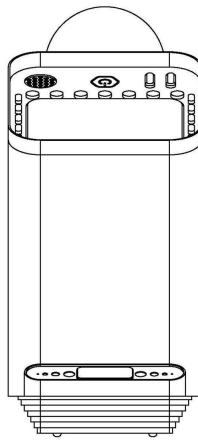
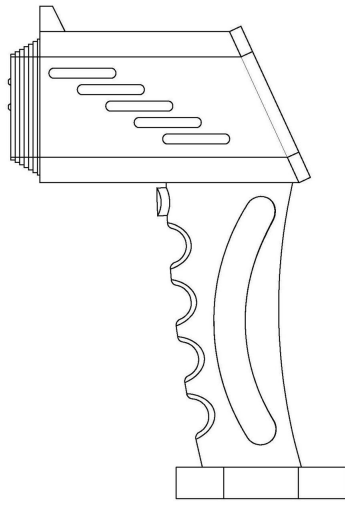
The attention of the Proprietor(s) is drawn to the important notes overleaf.

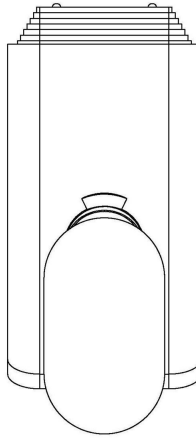


Representation of Designs









Intellectual Property Office is an operating name of the Patent Office

www.gov.uk/ipo



Intellectual
Property
Office

Certificate of Registration for a UK Design

Design number: 6454840

Grant date: 07 July 2025

Registration date: 02 July 2025

This is to certify that,

in pursuance of and subject to the provision of Registered Designs Act 1949, the design of which a representation or specimen is attached, had been registered as of the date of registration shown above in the name of

Dr. Narayan Totewad, Dr. Pradeep Kumbharwad, Dr. Shrikant Dighe, Dr.

Indrajeet Gadge, Dr. Megharaj Vinayak, Dr. Ashish Jain, Dr. Bhagwan

Rekadwad

in respect of the application of such design to:

NANOHEAL MICROCAPSULES DISPENSER FOR ENHANCED SKIN

REGENERATION IN TOPICAL THERAPIES

International Design Classification:

Version: 15-2025

Class: 24 MEDICAL AND LABORATORY EQUIPMENT

Subclass: 04 MATERIALS FOR DRESSING WOUNDS, NURSING AND MEDICAL CARE

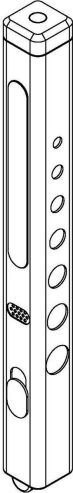
Adam Williams

Comptroller-General of Patents, Designs and Trade Marks
Intellectual Property Office

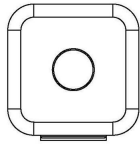
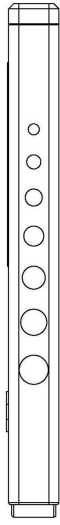
The attention of the Proprietor(s) is drawn to the important notes overleaf.

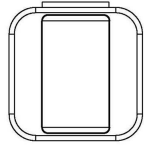


Representation of Designs









Intellectual Property Office is an operating name of the Patent Office

www.gov.uk/ipo